

GREAT DANETM

SUPER SURFER

PARTS CATALOG

GDSS17KA

17HP KAWASAKI RECOIL w/48" or 52" CUTTING DECK
SERIAL NUMBERS: 440000 - 440999

GDSS17KAE

17HP KAWASAKI ELECTRIC w/48" or 52" CUTTING DECK
SERIAL NUMBERS: 441000 - 441999

GDSS22KHE

22HP KOHLER ELECTRIC w/ 52" or 61" CUTTING DECK
SERIAL NUMBERS: 444000 - 444999

GDSS23KAE

23HP KAWASAKI ELECTRIC w/52" or 61" CUTTING DECK
SERIAL NUMBERS: 445000 - 446999



Part Number
D02-206

Rev. Date: 3-1-02

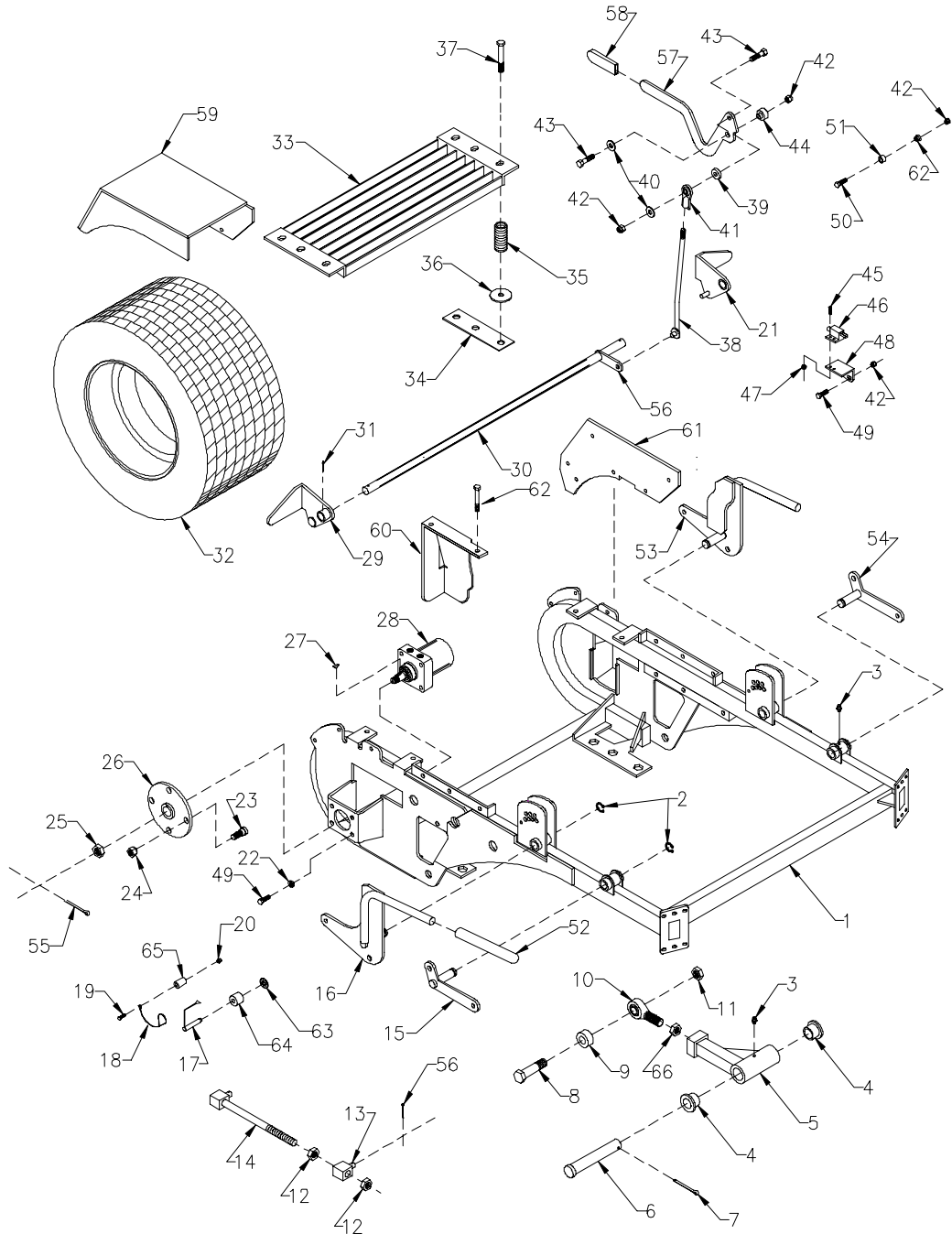
GREAT DANE POWER EQUIPMENT
4700 New Middle Rd.
Jeffersonville, IN. 47130 U.S.A.

Index

Super Surfer

	<u>Figure Page</u>	<u>Parts Page</u>
Frame	3	4
Cutting Deck 48"	5	6
52"	7	8
61"	9	10
Engine Deck	11	12
Deck Spindle & Chute Assemblies	13	13
Super Surfer Controls	14	15
Caster Assemblies	16	16
Hydraulic System	17	18
Hydraulic Schematic	19	
Kaw./Briggs Recoil Components	20	23
Kaw. Engine Components, Elec	21	23
Kohler Engine Components, Elec	22	23
Wiring Diagrams	24, 25, & 26	
Decals	27	

Super Surfer Frame



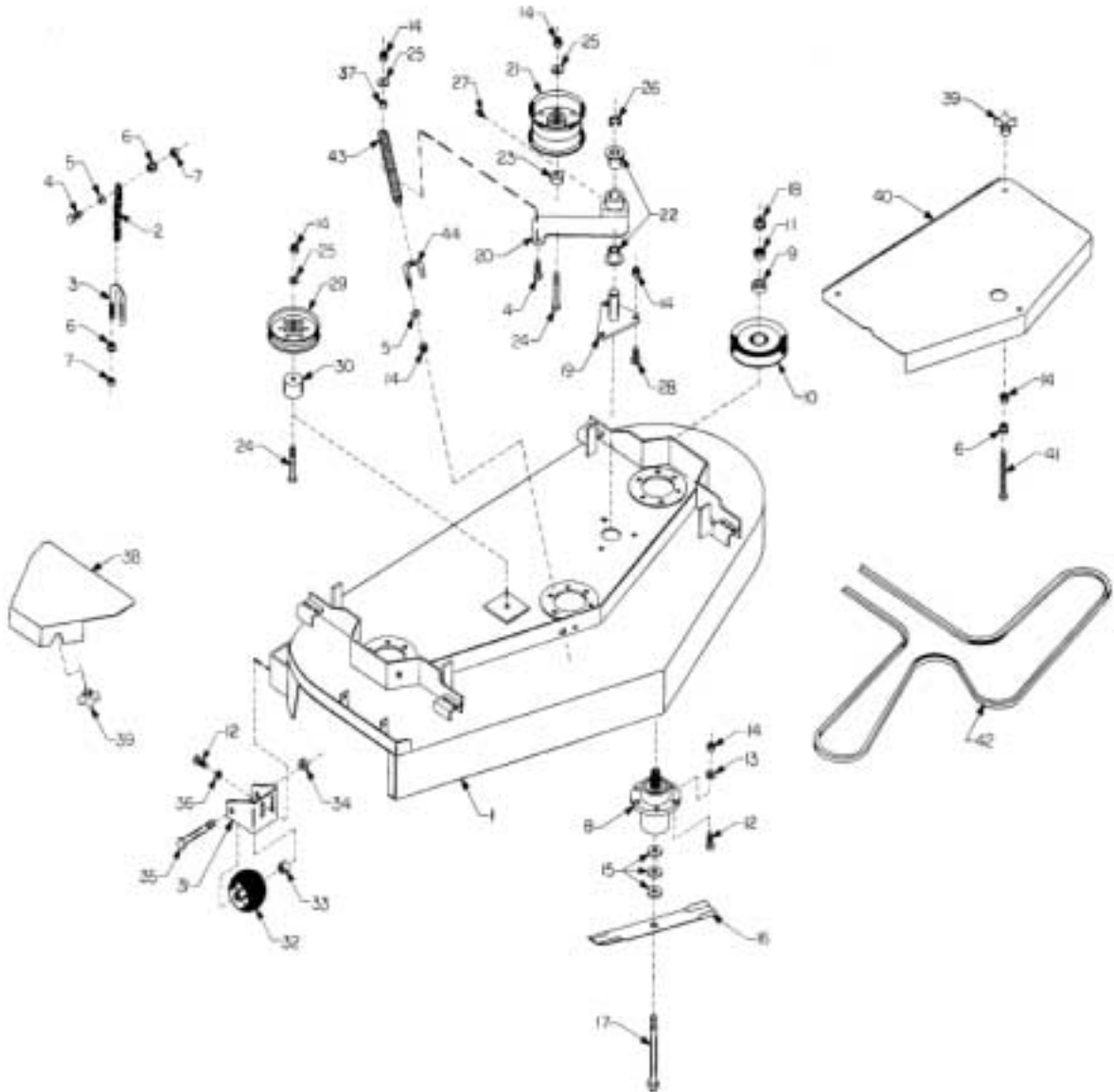


Super Surfer Frame

Ref. No.	Part No.	Description	Qty.
1a	D15345	Frame, 48"	1
1b	D15423	Frame, 52"	1
1c	D15424	Frame, 61 "	1
The above Frames use the D15347 (10") Caster Arm only			
1d	D15308	Frame, original 52"/61"	1
1d was superceded by 1b & 1c			
2	D14243	3/4" Retaining Ring	2
3	D18058	1/4"- 20 Zerk Fitting	6
4	D18076	Bushing	4
5	D15310	Thrust Arm	2
6	D28024	Clevis Pin	2
7	D28102	Cotter Pin	2
8	D24010	3/4"-16 x 3" H.H.C.S.	2
9	D23031	Bushing	2
10	D28084	Rod End	2
11	D24008	3/4"-16 Lock Nut	2
12	D24003	5/8"-11 Hex Nut	4
13	D13315	Swivel	2
14a	D15328	Lift Rod (52" & 61")	2
14b	D15349	Lift Rod (48")	2
15	D15329	R.H. Front Lift Arm	1
16	D15332	R.H. Rear Lift Arm	1
17	D18377	HOC Pin	2
18	D18345	Lanyard	2
19	D14127	1/4"-20 X 3/4" H.H.C.S.	2
20	D14044	1/4"-20 Nylon Nut	2
21	D15319	Left Brake Arm	1
22	D14121	3/8" Spring Lock Washer	8
23	D14215	Stud	8
24	D14192	Lug Nut	8
25	D14193	Castle Nut	2
26	D18110	Wheel Hub w/ Studs	2
27	D18206	Key	2
28	D18311	Wheel Motor w/ Nut	2
29	D15320	Right Brake Arm	1
30	D15322	Brake Shaft	1
31	D14231	5/32" X 1-1/4" Spring Pin	2
32a	D18306	Wheel Assembly(52"&61")	2
32b	D18376	Wheel Assembly(48")	2
33	D15306	Foot Grating	1
34	D18346	Rubber Strip	2
35	D18111	Spring	6
36	D14105	1/2" Flat Washer	6
37	D14061	1/2"-13 X 3" H.H.C.S.	6

Ref. No.	Part No.	Description	Qty.
38	D13319	Brake Rod	1
39	D14204	Washer	1
40	D14046	3/8" Flat Washer	2
41	D28184	3/8" Rod End	1
42	D14010	3/8"-16 Nylon Nut	5
43	D14015	3/8"-16 x 1 1/2" H.H.C.S.	2
44	D43007	Pivot Spacer	1
45	D14233	10-24X3/4" P.H.P.S.	2
46	D18334	N.O./N.C. Switch	1
47	D14124	10-24 Nylon Nut	2
48	D12373	Switch Bracket	1
49	D14013	3/8"-16 x 1" H.H.C.S.	10
50	D14014	3/8"-16 X 1-1/4" H.H.C.S.	1
51	D13021	Bushing	1
52	D18093	11" Grip	2
53	D15333	L.H. Rear Lift Arm	1
54	D15330	L.H. Front Lift Arm	1
55	D14194	1/8" x 1 3/4" Cotter Pin	2
56	D14107	Cotter Pin	4
57	D12352	Brake Lever	1
58	D18079	Grip	1
59a	D15355	Fender, RH	1
NS-59b	D15356	Fender, LH	1
60a	D15365	Motor Guard, LH	1
NS-60b	D15364	Motor Guard, RH	1
61	D12407	Weight Plate	8
62	D14145	5/16"-18 X 1" HHCS	4
63	D14267	3/8" Pal Nut Retainer	2
64	D13348	Bushing	2
65	D13323	Bushing	2
66	D14164	3/4" Jam Nut	2
—	Hardware to attach the Motor Guards to Frame		
NS	D14145	5/16-18X1 HHCS	4
NS	D14081	5/16-18 Nylon Nut	4
NS	D14114	5/16 Sae Flat Washer	4
—	Hardware to attach the Weight Plates to Fender		
NS	D14150	5/16-18X2-1/4" HHCS	6
NS	D14081	5/16-18 Nylon Nut	6
NS	D14114	5/16 Sae Flat Washer	6
—	Hardware to attach the Fender Assy. To Frame		
NS	D14151	5/16-18X2-1/2" HHCS	6
NS	D14081	5/16-18 Nylon Nut	6
NS	D14114	5/16 Sae Flat Washer	6

48" Super Surfer Deck



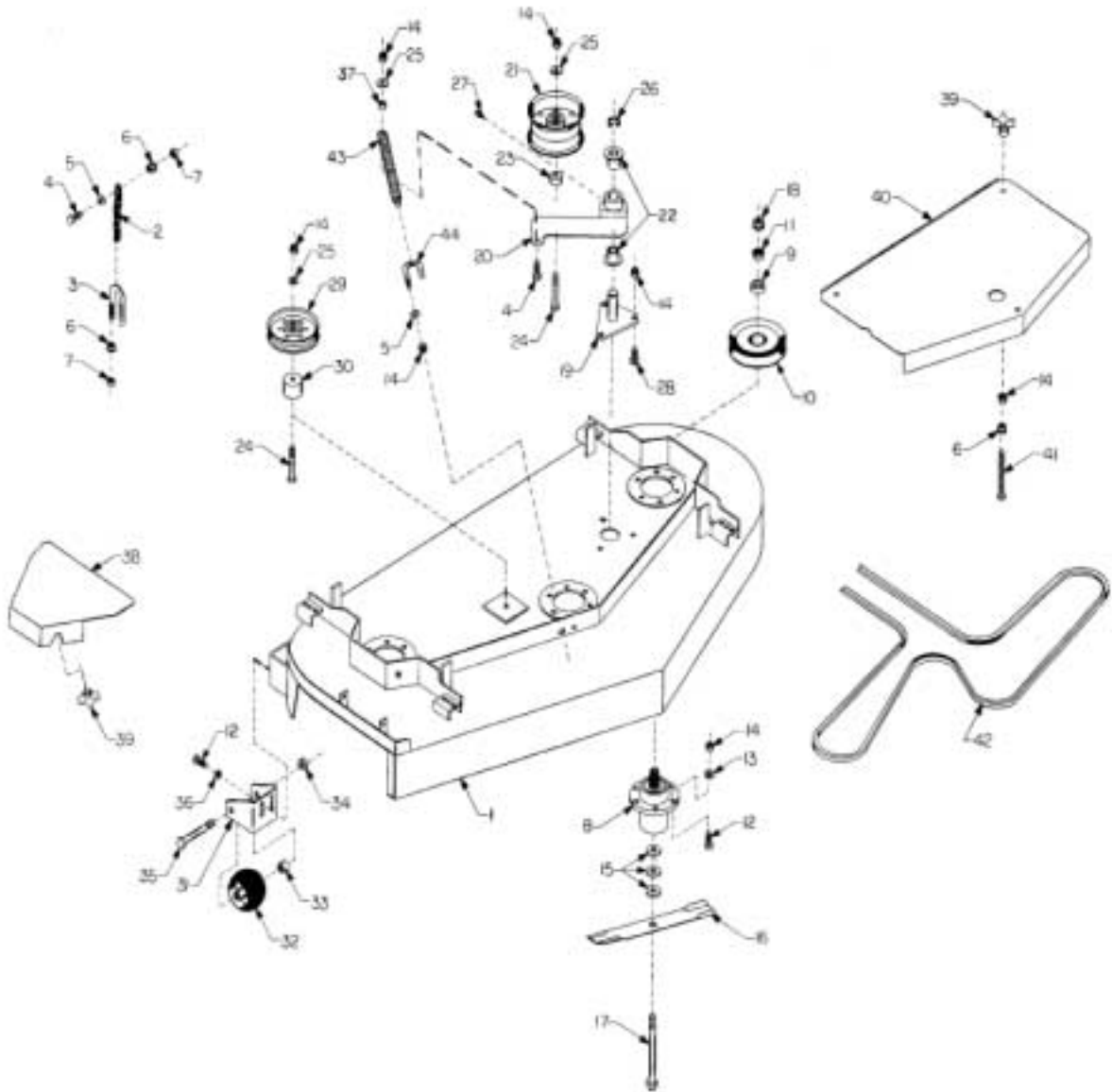


48" Cutting Deck

Fig. -Ref.	Part No.	Description	Qty.
1	D15348	48" Deck Weldment	1
2	D18373	Chain	4
3	D13322	U-Bolt	4
4	D14015	3/8" - 16 X 1-1/2" HHCS	5
5	D14046	3/8" Flat Washer	5
6	D14009	3/8" - 16 Flange Nut	11
7	D24013	3/8" - 16 Lock Nut	8
8	D18030	Spindle Assembly	3
9	D13024	Spacer, Pulley	3
10	D18209	Pulley, Tall	3
11	D13055	7/8" Hex Nut	3
12	D14014	3/8" - 16 X 1-1/4" HHCS	22
13	D14046	3/8" Flat Washer	18
14	D14010	3/8" - 16 Nylon Nut	28
15	D18055	Washer, Blade	12
16	D18086	Blade, 16.5"	3
17	D14101	5/8" - 18 X 7-1/2" HHCS	3
18	D14282	5/8" - 18 Nut	3
19	D15027	Idler Weldment Mount	1
20	D15363	Idler Arm	1
21	D28105	Idler Pulley	1
22	D18003	Bushing	2
23	D13321	Bushing	1

Fig. -Ref.	Part No.	Description	Qty.
24	D14023	3/8" - 16 X 1-1/2" HHCS	2
25	D14046	3/8" Flat Washer	3
26	D14104	1" Retaining Ring	1
27	D18205	Zerk Fitting	1
28	D24011	3/8" - 16 X 1" Carriage Bolt	3
29	D28050	Idler Pulley	1
30	D13318	Bushing	1
31	D22036	Roller Mount	2
32	D18070	Roller	2
33	D23024	Roller Spacer	2
34	D24014	1/2" - 13 Center Lock Nut	2
35a	D14066	1/2" - 13 X 4-1/2" HHCS	2
35b	D24040	1/2" - 13 X 4-1/2" Carriage Bolt	2
36	D14121	3/8" Spring Lock Washer	4
37	D13021	Bushing	1
38a	D15359	Belt Cover, RH	1
38b	D15358	Belt Cover, LH	1
39	D18046	Knob	7
40	D15357	Belt Cover	1
41	D14237	3/8" - 16 X 5" Tap Bolt	3
42	D18348	Belt, Engine to Blade	1
43	D28025	Spring	1
44	D23028	J-Hook	1


52" Super Surfer Deck



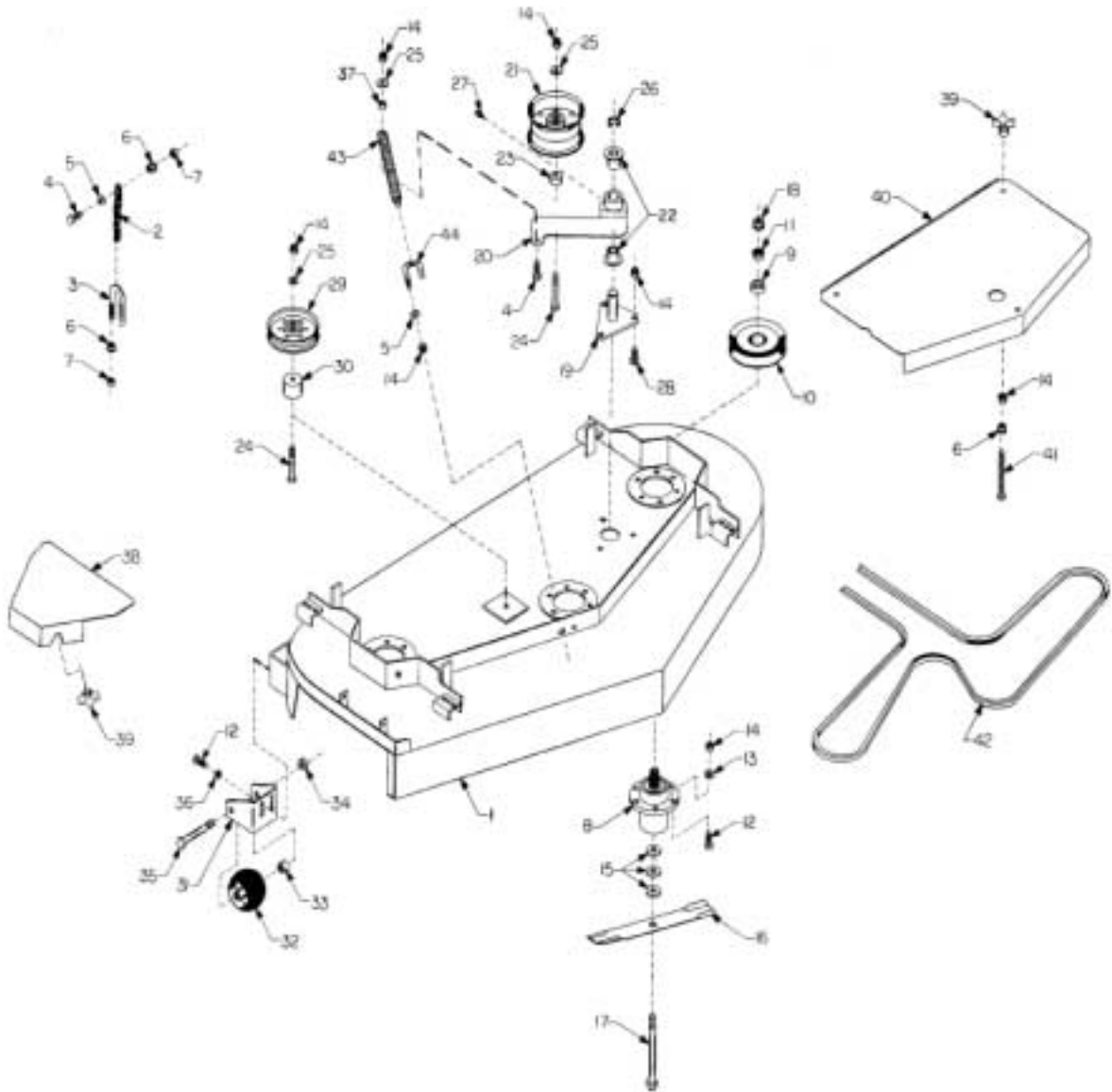
GREAT DANE

52" Cutting Deck

Fig. -Ref.	Part No.	Description	Qty.
1	D15312	52" Deck Weldment	1
2a	D18373	Chain, 6 link	3
2b	D28104	Chain, 5 link	1
3	D13322	U-Bolt	4
4	D14015	3/8" - 16 X 1-1/2" HHCS	5
5	D14046	3/8" Flat Washer	5
6	D14009	3/8" - 16 Flange Nut	11
7	D24013	3/8" - 16 Lock Nut	8
8	D18030	Spindle Assembly	3
9	D13024	Spacer, Pulley	3
10	D18084	Pulley, Tall	3
11	D13055	7/8" Hex Nut	3
12	D14014	3/8" - 16 X 1-1/4" HHCS	22
13	D14046	3/8" Flat Washer	18
14	D14010	3/8" - 16 Nylon Nut	28
15	D18055	Washer, Blade	12
16	D18037	Blade, 18"	3
17	D14101	5/8" - 18 X 7-1/2" HHCS	3
18	D14102	5/8" - 18 Nut	3
19	D15027	Idler Weldment Mount	1
20	D15363	Idler Arm	1
21	D28105	Idler Pulley	1
22	D18003	Bushing	2
23	D13321	Bushing	1

Fig. -Ref.	Part No.	Description	Qty.
24	D14023	3/8" - 16 X 1-1/2" HHCS	2
25	D14046	3/8" Flat Washer	3
26	D14104	1" Retaining Ring	1
27	D18205	Zerk Fitting	1
28	D24011	3/8" - 16 X 1" Carriage Bolt	3
29	D28050	Idler Pulley	1
30	D13318	Bushing	1
31	D22036	Roller Mount	2
32	D18070	Roller	2
33	D23024	Roller Spacer	2
34	D24014	1/2" - 13 Center Lock Nut	2
35a	D14066	1/2" - 13 X 4-1/2" HHCS	2
35b	D24040	1/2" - 13 X 4-1/2" Carriage Bolt	2
36	D14121	3/8" Spring Lock Washer	4
37	D13021	Bushing	1
38	D15334	Belt Cover, side	2
39	D18046	Knob	7
40	D15317	Belt Cover, Center	1
41	D14237	3/8" - 16 X 5" Tap Bolt	3
42	D18352	Belt, Engine to Blade 	1
43	D28025	Spring	1
44	D23028	J-Hook	1

61" Super Surfer Deck



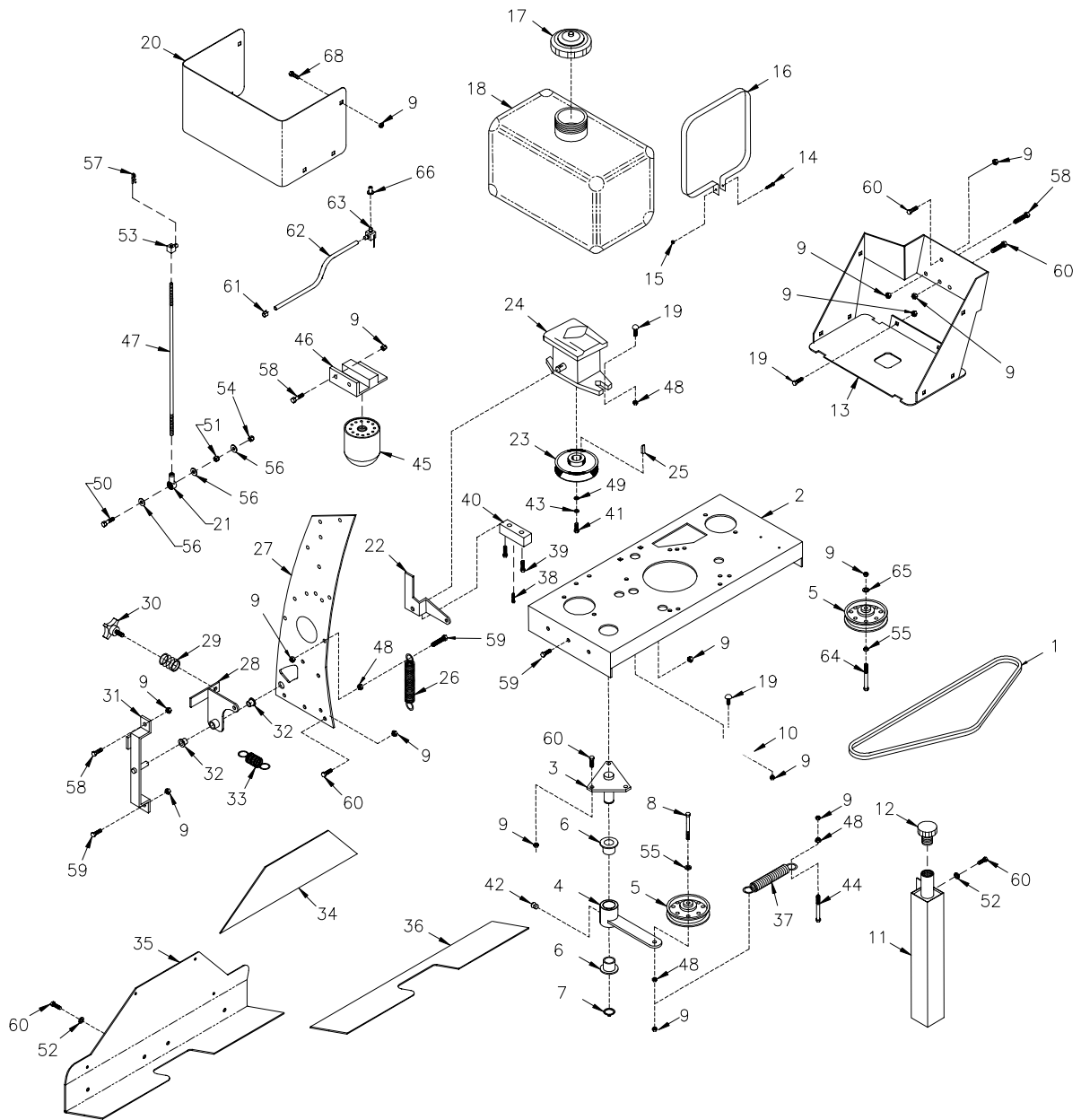


61" Cutting Deck

Fig. -Ref.	Part No.	Description	Qty.
1	D15340	61" Deck Weldment	1
2a	D18373	Chain, 6 link	3
2b	D28104	Chain, 5 link	1
3	D13322	U-Bolt	4
4	D14015	3/8" - 16 X 1-1/2" HHCS	5
5	D14046	3/8" Flat Washer	5
6	D14009	3/8" - 16 Flange Nut	11
7	D24013	3/8" - 16 Lock Nut	8
8	D18030	Spindle Assembly	3
9	D13024	Spacer, Pulley	3
10	D18211	Pulley, Tall	3
11	D13055	7/8" Hex Nut	3
12	D14014	3/8" - 16 X 1-1/4" HHCS	22
13	D14046	3/8" Flat Washer	18
14	D14010	3/8" - 16 Nylon Nut	28
15	D18055	Washer, Blade	12
16	D18036	Blade, 21"	3
17	D14101	5/8" - 18 X 7-1/2" HHCS	3
18	D14102	5/8" - 18 Nut	3
19	D15027	Idler Weldment Mount	1
20	D15363	Idler Arm	1
21	D28105	Idler Pulley	1
22	D18003	Bushing	2
23	D13321	Bushing	1

Fig. -Ref.	Part No.	Description	Qty.
24	D14023	3/8" - 16 X 1-1/2" HHCS	2
25	D14046	3/8" Flat Washer	3
26	D14104	1" Retaining Ring	1
27	D18205	Zerk Fitting	1
28	D24011	3/8" - 16 X 1" Carriage Bolt	3
29	D28050	Idler Pulley	1
30	D13318	Bushing	1
31	D22036	Roller Mount	2
32	D18070	Roller	2
33	D23024	Roller Spacer	2
34	D24014	1/2" - 13 Center Lock Nut	2
35a	D14066	1/2" - 13 X 4-1/2" HHCS	2
35b	D24040	1/2" - 13 X 4-1/2" Carriage Bolt	2
36	D14121	3/8" Spring Lock Washer	4
37	D13021	Bushing	1
38	D15353	Belt Cover, Side	2
39	D18046	Knob	7
40	D15361	Belt Cover, Center	1
41	D14237	3/8" - 16 X 5" Tap Bolt	3
42	D18361	Belt, Engine to Blade	1
43	D28025	Spring	1
44	D23028	J-Hook	1

SS Engine Deck



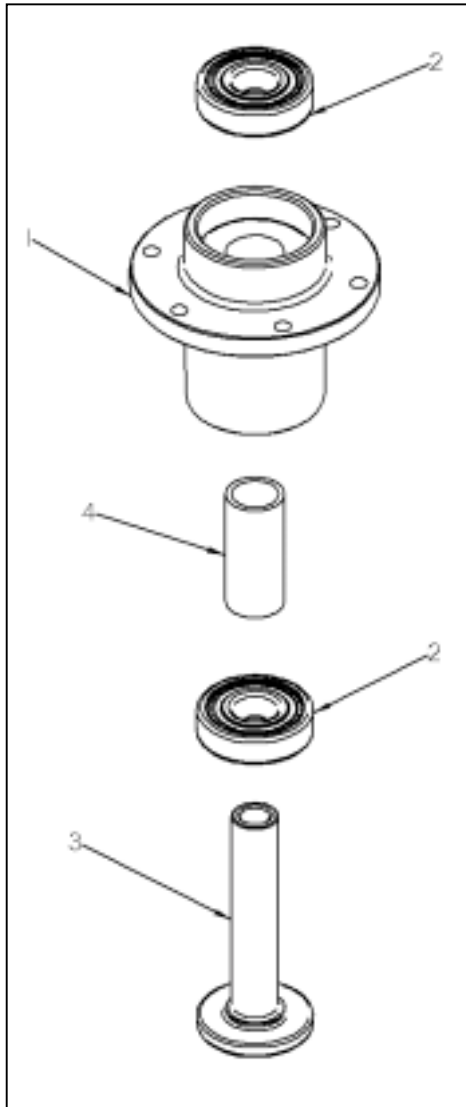


SS Engine Deck

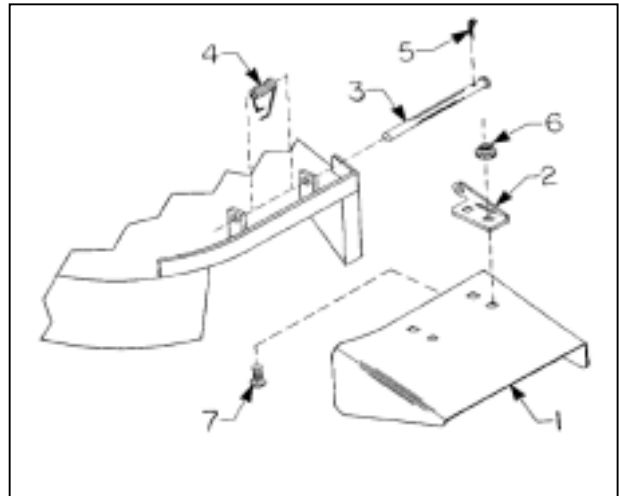
Ref. No.	Part No.	Description	Qty.
1	D18303	Belt, Engine to Pump	1
2	D15321	Rear Deck	1
3	D15027	Idler Base Weld.	1
4	D15318	Idler Arm Weld.	1
5	D18314	Idler Pulley	2
6	D18003	Idler Bushing	2
7	D14104	1" External Retaining Ring	1
8	D14019	3/8" - 16 X 2-1/2" HHCS	1
9	D14010	3/8" - 16 Nylon Nut	39
10	D12304	Clutch Bracket	1
11	D15331	Oil Tank Weld.	1
12	D18333	Oil Fill Breather	1
13	D15315	Fuel Tank Bracket	1
14	D14133	1/4" - 20 X 2" HHCS	2
15	D14044	1/4" - 20 Nylon Nut	2
16	D12042	Tank Strap	2
17	D18097	Fuel Tank Cap	1
18	D18096	Fuel Tank	1
19	D14008	3/8" - 16 X 1" Carriage Bolt	8
20	D12349	Tank Guard	1
21	D18106	Swivel	2
22a	D15399	RH Block Pump Arm	1
NS-22b	D15398	LH Block Pump Arm	1
23	D18043	Pulley w/ Set Screws	2
24a	D18312	RH Pump	1
24b	D18313	LH Pump	1
25	D18067	Key, m5 X m28	2
26	D18072	Spring	2
27a	D15335	RH Side Support	1
27b	D15336	LH Side Support	1
28a	D15324	RH Rear Dir. Arm	1
28b	D15323	LH Rear Dir. Arm	1
29	D18074	Neutral Knob Spring	2
30	D18047	Neutral Adjust Knob	2
31a	D15309	RH Outer Stop Bracket	1
NS-31b	D15327	LH Outer Stop Bracket	1
32	D18032	Brass Bushing	4

Ref. No.	Part No.	Description	Qty.
33	D18073	Spring	2
34	D12378	Tape, Heat Reflector-Top	1
35	D12336	Foot Guard	1
36	D12379	Tape, Heat Reflector-Bottom	1
37	D18071	Idler Spring	1
38a	D13336	Pump Block Plate	1
NS-38b	D13353	LH Pump Block Plate	1
39a	D14264	1/4" - 28 X 1-1/4" HHCS	3
39b	D14283	1/4" - 28 X 3/4" HHCS	1
40	D14281	Roll Pin, m5 X 30mm	2
41	D14213	Pump Bolt	2
42	D18058	Zerk Fitting	1
43	D14210	1/4" Split Lock Washer	2
44	D14021	3/8" - 16 X 3" HHCS	1
45	D18094	Oil Filter Only	1
46	D18075	Oil Filter Assembly	1
47	D13029	Pump Control Rod	2
48	D14009	3/8" - 16 Serrated Flan. Nut	3
49	D14160	1/4" Heavy Washer	2
50	D14148	5/16" - 18 X 1-3/4" HHCS	2
51	D14205	5/16" - 18 Flange Nut	2
52	D14121	3/8" Split Lock Washer	6
53	D13028	Hydro Swivel	2
54	D14081	5/16" - 18 Nylon Nut	2
55	D14046	3/8" Flat Washer	2
56	D14114	5/16" Flat Washer	6
57	D14006	Hair Pin	2
58	D14015	3/8" - 16 X 1-1/2" HHCS	5
59	D14014	3/8" - 16 X 1-1/4" HHCS	10
60	D14013	3/8" - 16 X 1" HHCS	17
61	D14103	Hose Clamp	2
62	D38014	Fuel Line	1
63	D18098	Shut-off Valve	1
64	D14018	3/8" - 16 X 2-1/4" HHCS	1
65	D14204	3/8" Washer	1
66	D18144	Grommet	1
67	D14269	3/8" - 16 Center Lock Nut	4
68	D14011	3/8" - 16 X 3/4" Carriage Bolt	6

Super Surfer Deck Spindle & Chute Assemblies



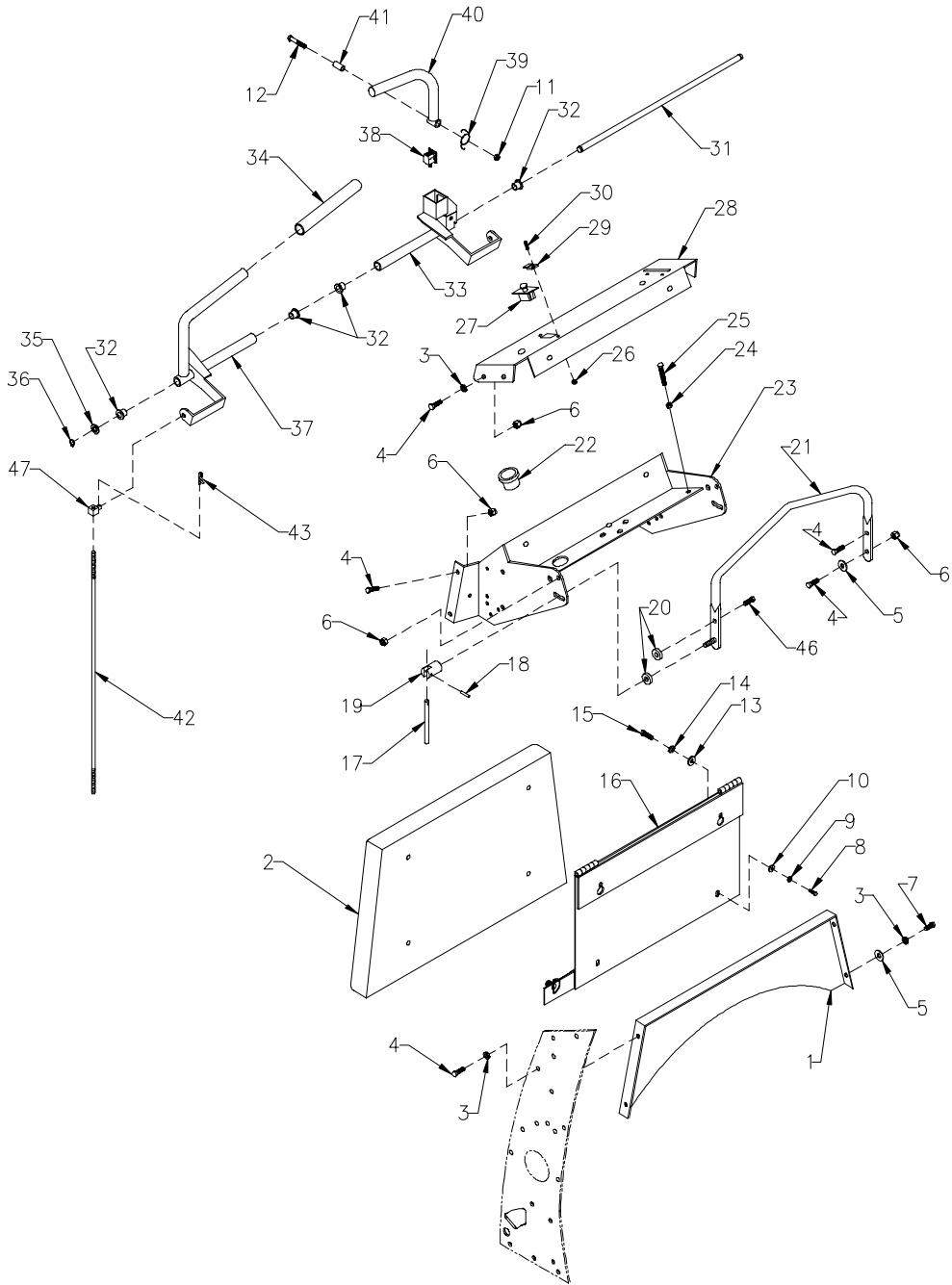
Chute Assembly



Ref. No.	Part No.	Description	Qty.
1	D12086	Chute Deflector, for 48"	1
1	D12007	Chute Deflector, for 52"	1
1	D12008	Chute Deflector, for 61"	1
2	D12006	Hinge, Chute Deflector	2
3	D18060	Rod, Chute Pivot	1
4	D18077	Chute Spring	1
5	D14107	3/32" X 1" Cotter Pin	1
6	D14205	5/16" - 18 Flange Nut	4
7	D14113	5/16" - 18 X 3/4" Carr. Bolt	4

Ref. No.	Part No.	Description	Qty.
1	D11000	Cutter Housing Casting	1
2	D18045	Bearing 6305	2
3	D18048	Spindle Shaft	1
4	D18033	Bearing Spacer	1

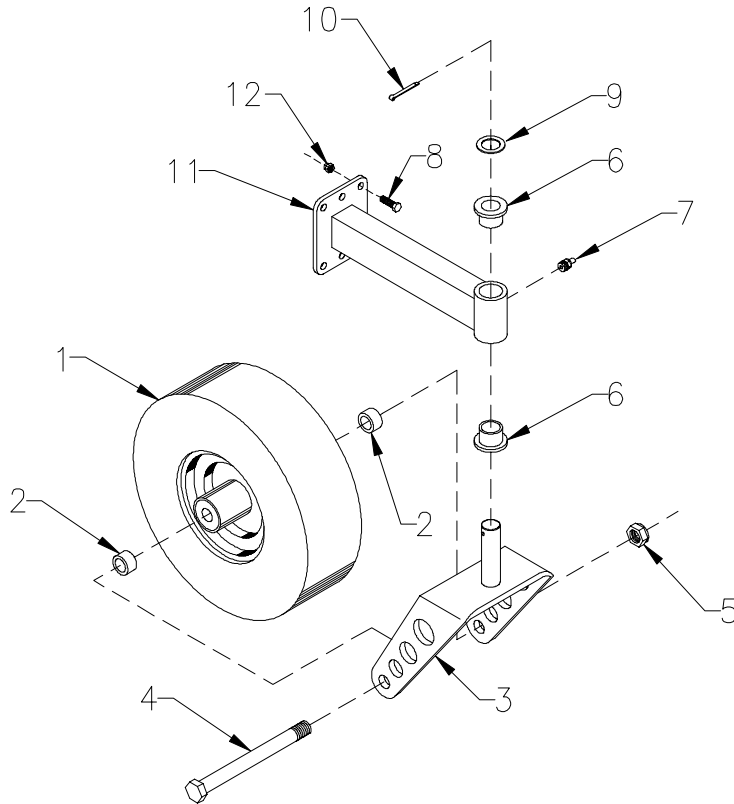
Super Surfer Controls





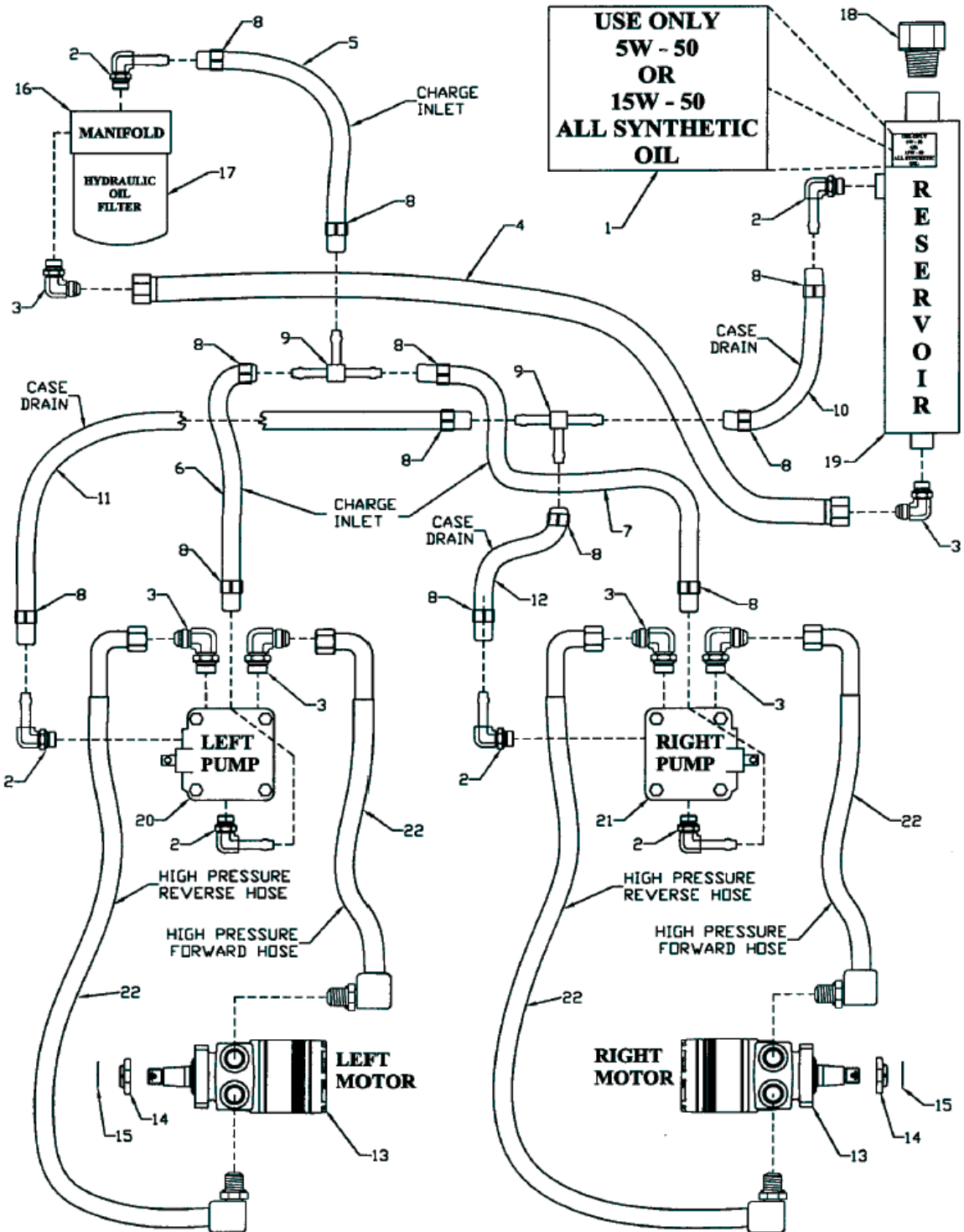
Super Surfer Controls

Ref. No.	Part No.	Description	Qty.	Ref. No.	Part No.	Description	Qty.
1	D15405	Thigh Plate	1	25	D14133	1/4"-20 X 2" H.H.C.S.	2
2	D18100	Thigh Cushion	1	26	D24021	#8 Nylon Nut	2
3	D14121	3/8" Lock Washer	8	27	D38005	Blade Switch	1
4	D14013	3/8"-16 X 1" H.H.C.S.	2	28	D12450	Console	1
5	D14046	3/8" Flat Washer	2	29	D12106	Switch Tab	1
6	D14010	3/8"-16 Nylon Nut	7	30	D24020	#8 Machine Screw	2
7	D14011	3/8"-16 X 3/4" H.H.C.S.	4	31	D13011	Pivot Rod	1
8	D14127	1/4-20 X 3/4" H.H.C.S.	4	32	D18013	Pivot Bushing	4
9	D14210	1/4" Spring Lock Washer	4	33	D15386	L.H. Handle Mount	1
10	D14211	1/4" Flat Washer	4	34	D18093	11" Grip	2
11	D14081	5/16"-18 Nylon Nut	1	35	D14105	1/2" Flat Washer	2
12	D14148	5/16"-18 X 1-3/4" H.H.C.S.	1	36	D14109	1/2" Retaining Ring	2
13	D14114	5/16" Flat Washer	2	37	D15385	R.H. Drive Lever	1
14	D14206	5/16" Lock Washer	2	38	D18335	N.O./N.O. Switch	1
15	D14145	5/16"-18 X 1 H.H.C.S.	2	39	D38003	Spring	1
16	D15381	Hinged Plate	1	40	D35094	L.H. Drive Lever	1
17	D13309	Lock Lever	1	41	D33004	Bushing	1
18	D14244	5/32" X 1" Roll Pin	1	42	D13029	Pump Control Rod	2
19	D13308	Base, Lock Lever	1	43	D14006	#203 Hairpin	2
20	D14204	Washer	2	44	D13028	Swivel	2
21	D18069	Stationary Handle	1	45	D18090	Ignition Switch Man. Start	1
22	D18109	Hour Meter	1	45	D18091	Ignition Switch Elec. Start	1
23	D15420	Handle Brace	1	46	D14014	3/8"-16 X 1-1/4" H.H.C.S.	1
24	D24007	1/4"-20 Hex. Nut	2	47	D13028	5/16"-24 swivel	2



Ref. No.	Part No.	Description	Qty.
1	D38009	Caster Wheel Assembly	1
2	D33007	Spacer, Caster Wheel	2
3	D15316	Caster Yoke Weldment	1
4	D14117	3/4"-16 X 8" Caster Bolt	1
5	D24008	3/4"-16 Top Lock Nut	1
6	D18003	Caster Bushing	2
7	D18058	Zerk Fitting	1
8	D14013	3/8"-16 x 1" HHCS	4
9	D14245	1" Machinery Bushing	1
10	D14075	Cotter Pin	1
11a	D15347	Caster Arm (48) (10" long)	1
11b	D15301	Caster Arm (52) (12" long)	1
11c	D15346	Caster Arm (61) (16-7/8" long)	1
12	D14010	3/8"-16 Nylon Nut	4
NS-13	D18171	Rim, for 13" Caster Tire	1
NS-14	D38035	Tapered Roller Bearing	2
NS-15	D38065	Seal, for 13" Caster Tire	2
NS-16	D38067	Spacer Tube, for 13" Tire	1
NS-17	D38068	Bearing Spacer, 13" Tire	1

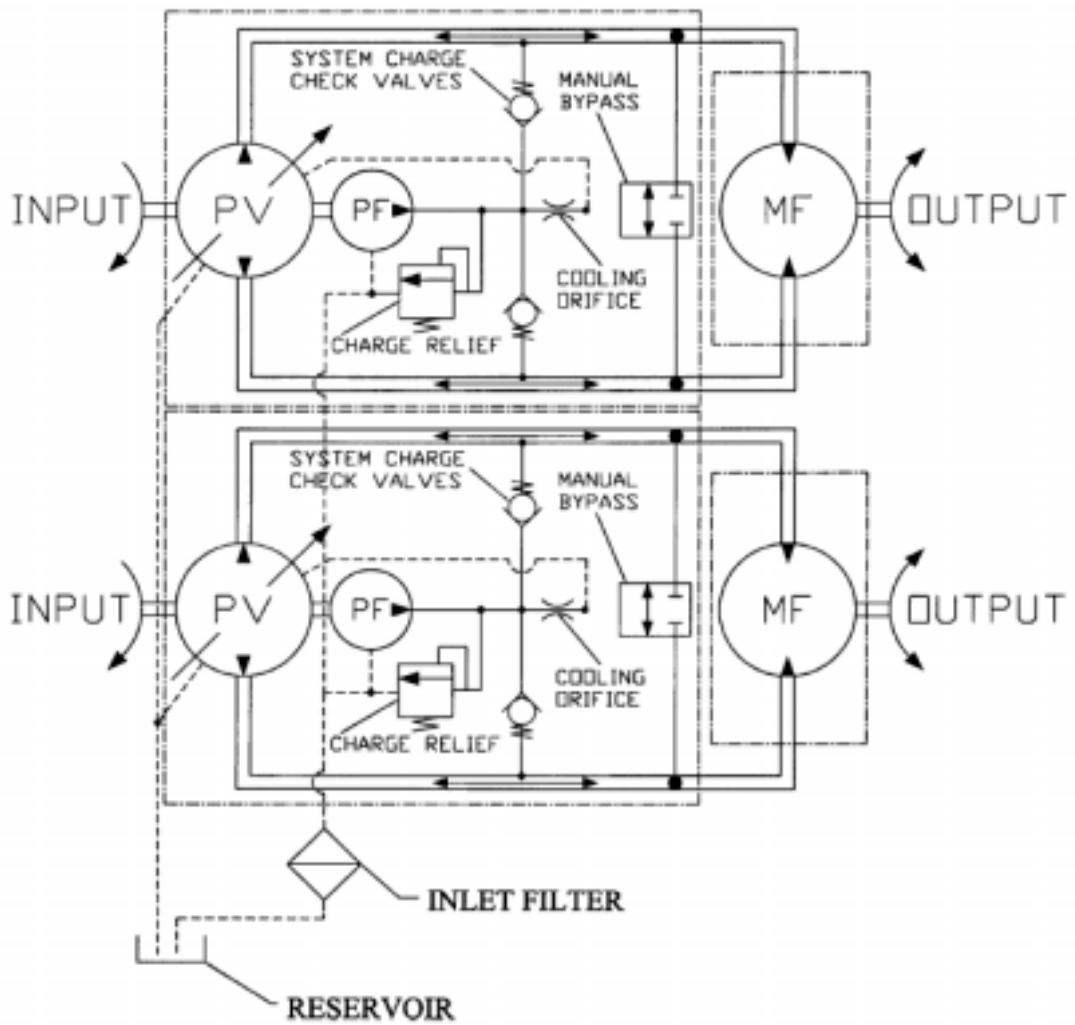
Super Surfer Hydraulics



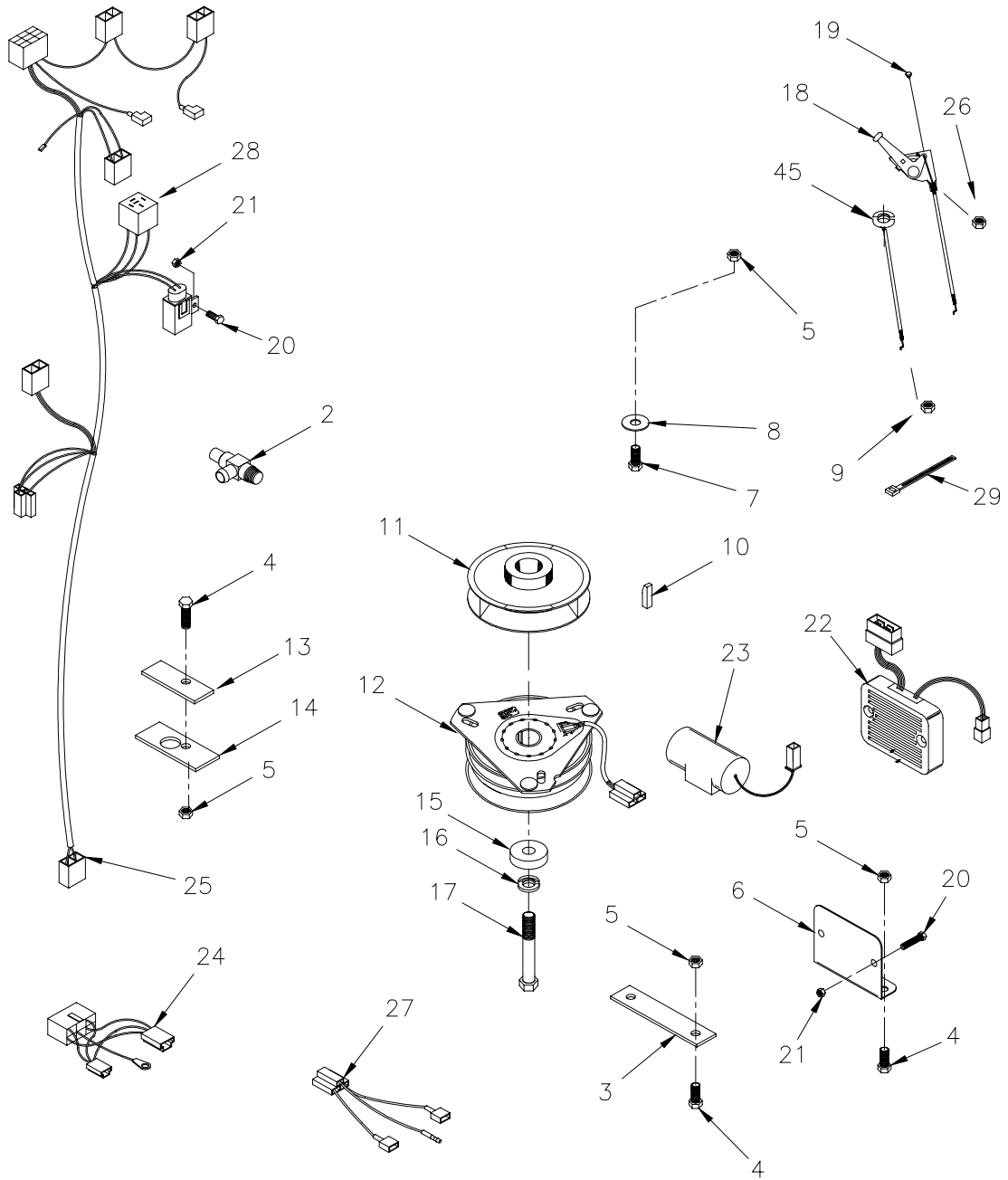


Super Surfer Hydraulics

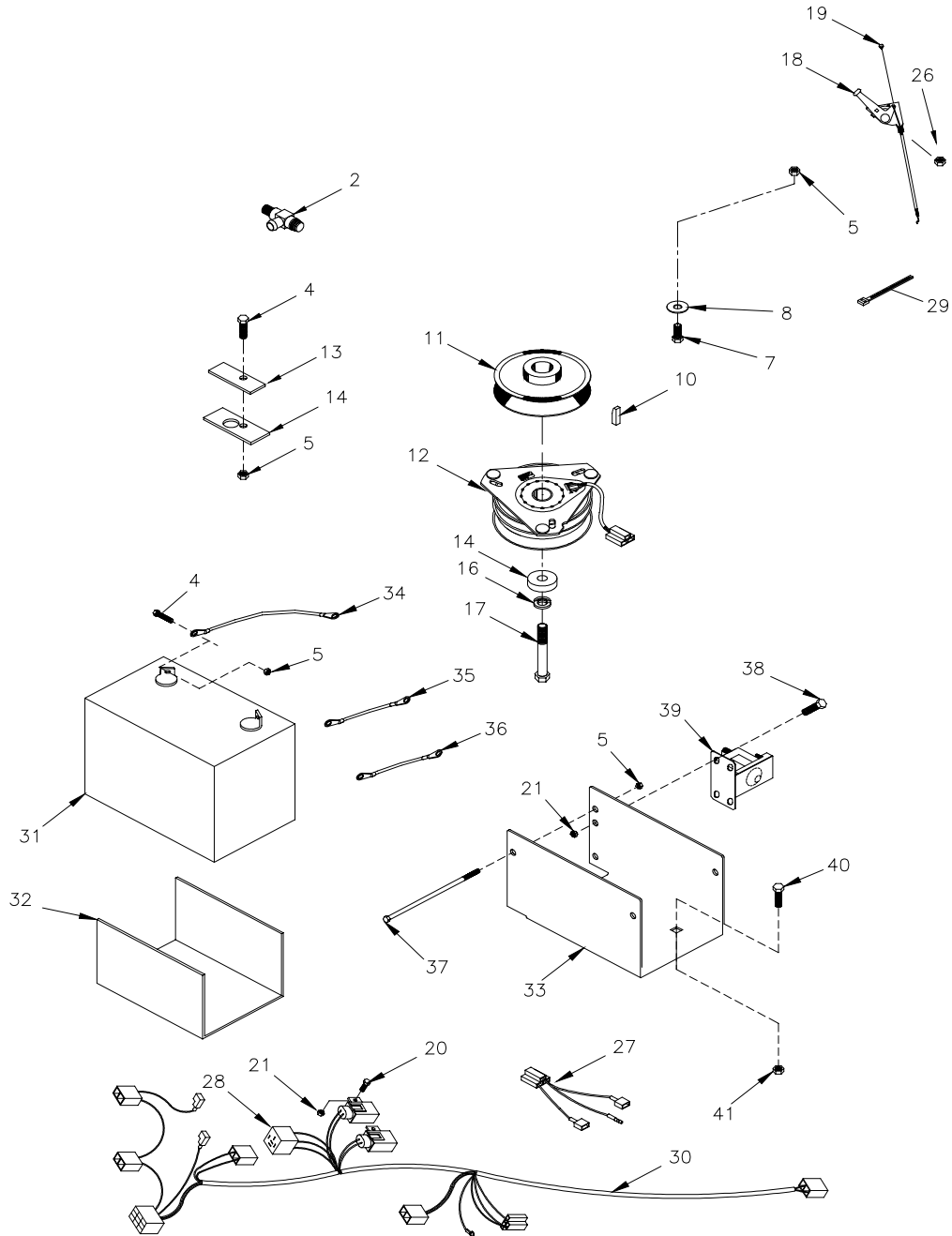
Ref. No.	Part No.	Description	Qty.
1	D18023	Hydraulic Oil Usage Decal	1
2	D24028	90 Degree fitting w/O-ring	6
3	D14196	90 Degree fitting w/O-ring	6
4	D18011	Hose (reservoir to manifold)	1
5	D18355	Hose (9" Charge Inlet)	1
6	D18357	Hose (22" Charge Inlet)	1
7	D18354	Hose (4 1/2" Charge Inlet)	1
8	D18379	Hose Clamp	12
9	D28079	T-Fitting (beaded)	2
10	D18356	Hose (15" Case return)	1
11	D28077	Hose (24" Case return)	1
12	D18354	Hose (4 1/2" Case return)	1
13	D18311	LH and RH Wheel Motor	2
14	D14193	Castle nut/ Wheel Motor	2
15	D14194	Cotter Pin 1/8" Wheel motor	2
16	D28059	Hydrostatic Oil Filter Manifold	1
17	D18094	Hydrostatic Oil Filter	1
18	D18333	Vented Reservoir Cap	1
19	D15331	Hydrostatic Oil Reservoir	1
20	D18313	LH Hydrostatic pump/BDP-10A-403	1
21	D18312	RH Hydrostatic pump/BDP-10A-303	1
22	D18309	Hi Pressure Hose w/Nylogard Sleeve	4



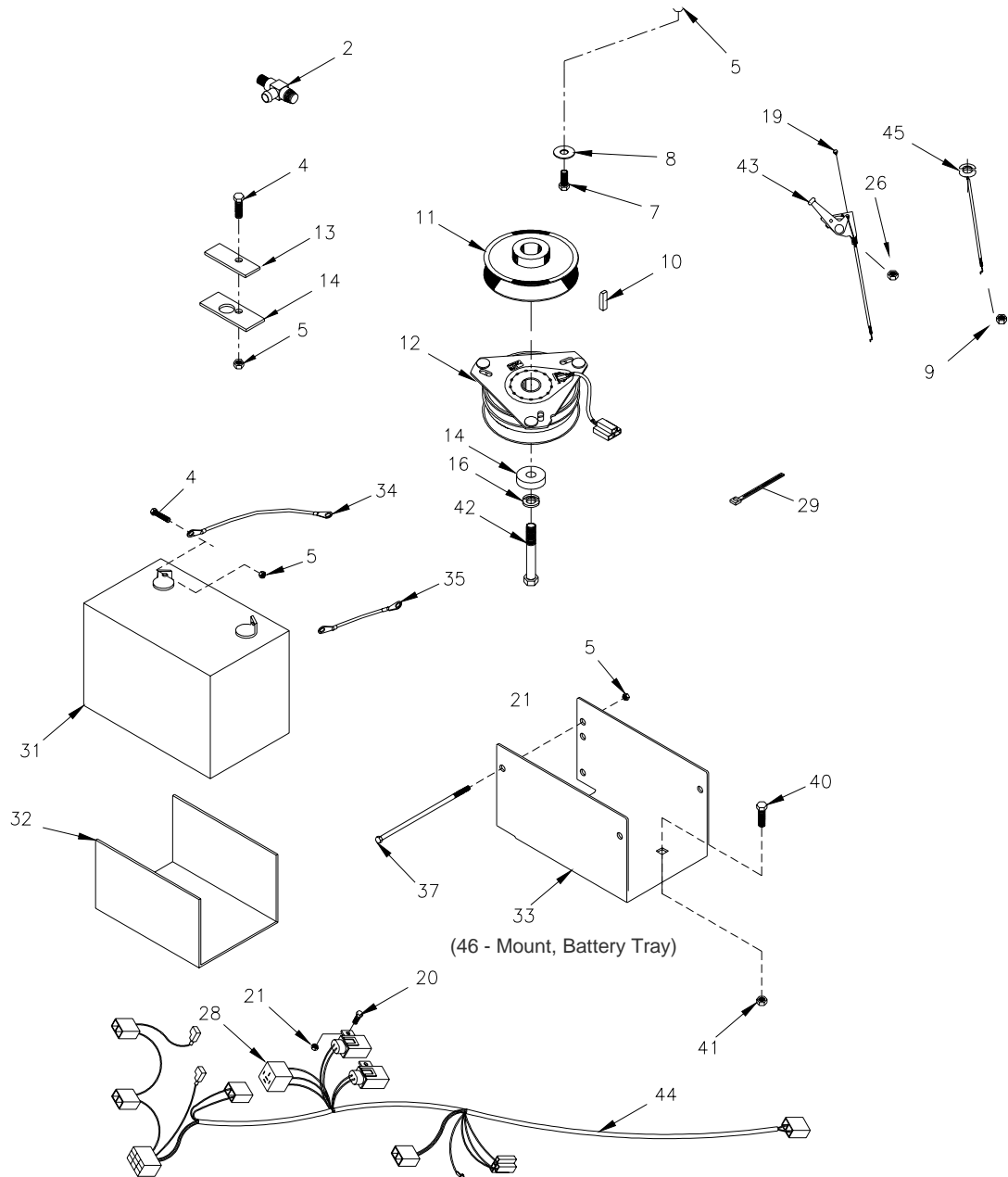
Super Surfer Engine Kawasaki & Briggs Recoil/Manual Components



Super Surfer Engine Kawasaki Electric Components



Super Surfer Engine Kohler Electric Components



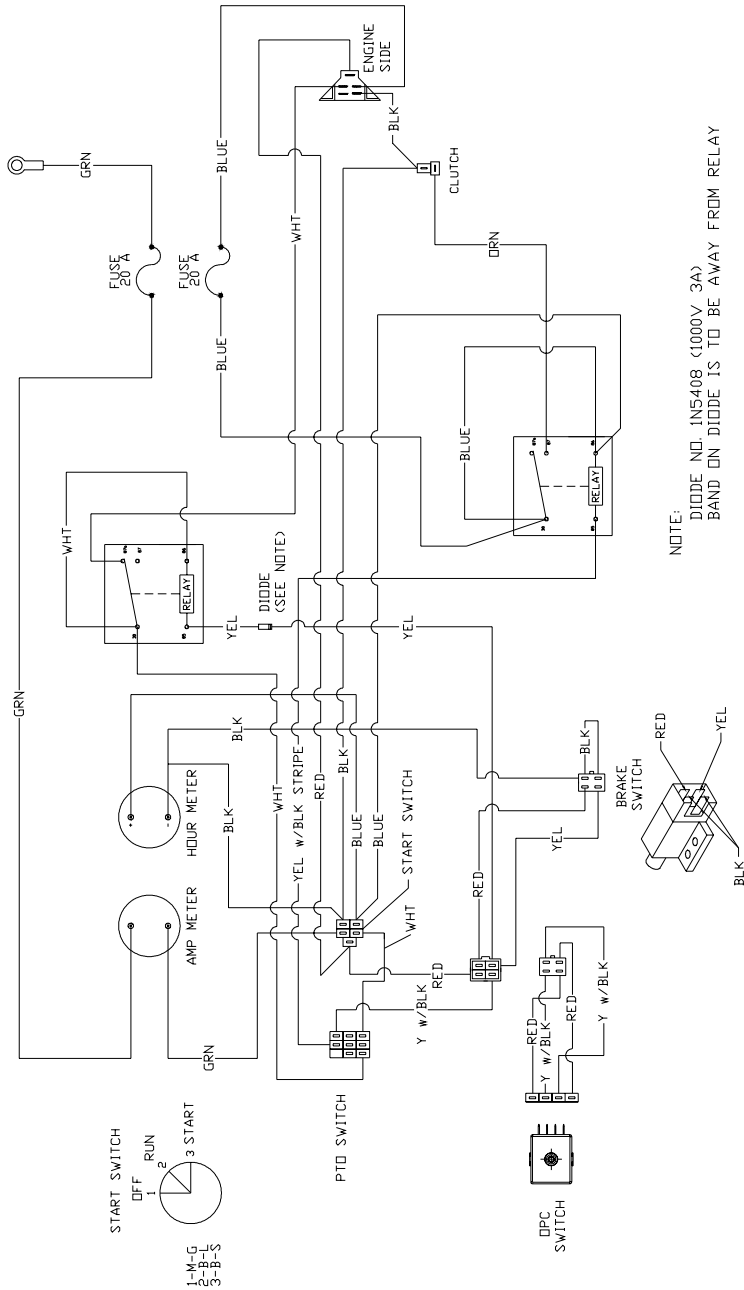


Super Surfer Engine Components

Ref. No.	Part No.	Description	Qty.	Ref. No.	Part No.	Description	Qty.
NS-1	Engine	17H.P. KAW Manual/FH500V-BS20	1	22	D38051	Elect. Module	1
NS-1	Engine	17H.P. KAW Electric/FH500V-AS21	1	23	D38050	Elect. Capacitor	1
NS-1	Engine	23H.P. KAW Electric/FH680V-BS11	1	24	D38027	Pigtail, Module/Capacitor	1
NS-1	Engine	18H.P. Kohler Electric/PS-61568	1	25a	D18338	KAW Manual Harness	1
NS-1	Engine	22H.P. Kohler Electric/PS-67557	1	25b	D18337	Briggs Manual Harness	1
2	D28123	Oil Drain Valve	1	26	D14124	10-24 Nyloc Nut	1
3	D32070	Capacitor Mount	1	27	D18343	Pigtail (small)	1
4	D14145	5/16-18X1 HHCS	7	28	D18052	Relay	1
5	D14081	5/16-18 Nyloc Nut	10	29	D28160	Wire Tie	6
6	D32071	Module Mount	1	30	D18340	KAW Electric Harness	1
7	D14147	5/16-18 x 1 1/2" HHCS	4	31	D18169	Battery	1
8	D14206	5/16 Split Lock Washer	4	32	D28159	Rubber Strip	1
9	D14116	3/8"-24 Nylon Nut	1	33	D22215	Battery Tray	1
10	D18145	KEY sq. 1/4" taper	1	34	D18319	Negative Wire	1
11	D18398	4" Pulley	1	35	D28118	Positive Wire	1
12	D18000	Clutch	1	36	D18358	Positive Wire	1
13	D12043	Support	1	37	D14158	5/16-18X 6" HHCS	2
14	D18068	Bumper	1	38	D14129	1/4-20 X 1 HHCS	1
15	D18056	Spacer	1	39	D28158	Solenoid	1
16	D14208	7/16 Split Lock Washer	1	40	D24011	3/8 - 16 x 1" CARR. BOLT	4
17	D24023	7/16-20 x 3" HHCS	1	41	D14010	3/8 - 16 Nylon Nut	4
18a	D18353	Throttle	1	42	D24022	7/16-20 x 2-1/2" HHCS	1
19	D14233	#10 x 3/4 PHPS	2	43	D18359	Throttle	1
20	D14131	1/4"-20 X 1-1/2" HHCS	2	44	D18315	Kohler Electric Harness	1
21	D14044	1/4-20 Nyloc Nut	4	45	D18050	Choke Cable	1
				NS-46	D15375	Mount, Battery tray	1

Super Surfer Engine

Kohler Wiring Diagram



Super Surfer Decals

52

D18028

MANUFACTURED UNDER THE FOLLOWING PATENT(S):
5,964,082 ; 5,765,347 ; 5,600,944
5,507,138 ; 5,809,756
AND OTHER PATENT(S)
PENDING.
D18371

CAUTION

- THIS PRODUCT IS DESIGNED FOR PROFESSIONAL AND COMMERCIAL USE ONLY.
- OPERATOR TRAINING IS REQUIRED.
- CAREFULLY READ SAFETY INSTRUCTIONS.
- KNOW FUNCTION OF CONTROLS BEFORE OPERATING.
- PRACTICE WITH CUTTER BLADES OFF UNTIL COMPETENT.
- CLEAR WORKING AREA OF ALL DEBRIS.
- KEEP ALL GUARDS, COVERS AND SHIELDS IN PLACE WHILE WORKING.
- DO NOT DISABLE OR BYPASS ANY SAFETY DEVICE.
- ALWAYS WEAR SAFETY GOGGLES WHILE OPERATING.
- ALWAYS PARK MACHINE ON LEVEL SURFACE.

- KEEP CHILDREN AND OTHERS CLEAR FROM ARE.
- SET GROUND SPEED CONTROL TO SAFE SPEED.
- SLOWLY AND SMOOTHLY MOVE SPEED CONTROL LEVER TO START AND STOP MACHINE.
- REDUCE SPEED AND AVOID SHARP TURNS.
- ALWAYS HOLD ON TO SAFETY BAR WHILE OPERA.
- BE CAREFUL ON SLOPES. DO NOT MOW WHERE STABILITY OR TRACTION IS IN DOUBT.

TO OBTAIN ADDITIONAL OPERATOR MANUAL AND SAFETY INSTRUCTIONS, CONTACT GREAT DANE DE

HYDRO OIL RESERVOIR
USE ONLY
MOBIL 1 15W50
OR
QUAKER STATE
5W50

D18023

61 48

D18029

D18107

D18024



D18026



D28045

SUPER

D18351

SURFER

D18197



D18349



D18350

IMPORTANT
Always adjust belt tension with
cutter deck in lowest cutting position.

D28047



D18149

CAUTION

DO NOT OPERATE MOWER WITHOUT CHUTE DEFLECTOR, MULCHING PLATE OR COMPLETE GRASS CATCHER ASSEMBLY IN POSITION. DO NOT REMOVE GRASS CATCHER, MULCHING PLATE OR RAISE THE CHUTE DEFLECTOR UNTIL ENGINE AND BLADE(S) HAVE STOPPED.

D18025

GREAT DANE

D38115



D18021

GREAT DANE

D18027